



Disclaimer, warranties and limitation of liability


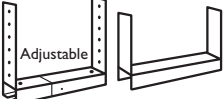


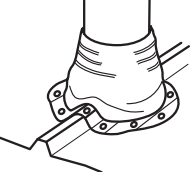
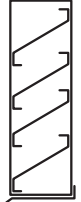



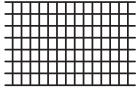
This publication is intended to be an aid for all trades and professionals involved with specifying and installing LYSAGHT products and not to be a substitute for professional judgement.

Terms and conditions of sale available at local BlueScope Lysaght sales offices.

Except to the extent to which liability may not lawfully be excluded or limited, BlueScope Steel Limited will not be under or incur any liability to you for any direct or indirect loss or damage (including, without limitation, consequential loss or damage such as loss of profit or anticipated profit, loss of use, damage to goodwill and loss due to delay) however caused (including, without limitation, breach of contract, negligence and/or breach of statute), which you may suffer or incur in connection with this publication.




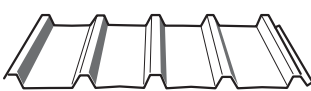
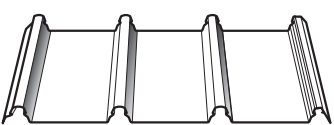

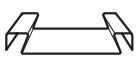

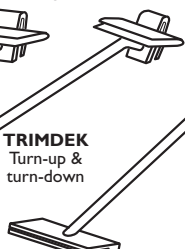


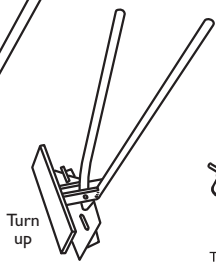
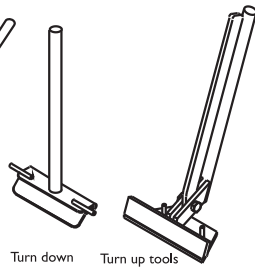
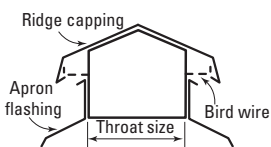
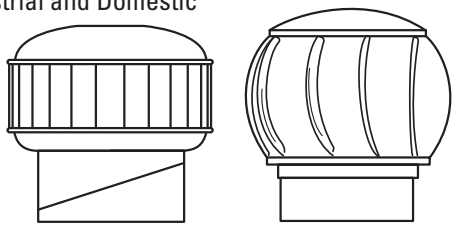

© Copyright BlueScope Steel Limited 15 December, 2010

Accessories

Product Description (Refer to local sales office for details)	Qld	NSW	Vic.	Tas.	S.A.	W.A.	N.T.
Accessory sheet	✓	✓	✓	✓	✓	✓	✓
Ant caps 	✓					✓	✓
Box gutter brackets 	✓	✓	✓	✓	✓	✓	✓
Box gutter sumps 	✓	✓	✓	✓	✓	✓	✓
Box gutter expansion joints 	✓	✓	✓	✓	✓	✓	✓
Dektite® pipe flashings 	✓	✓			✓	✓	✓
Fixed metal louvres  Louvres 			✓	✓	✓	✓	✓
		✓				✓	
Flat strips (hoop iron)	✓					✓	
Insulation: Reflective foil laminate	✓	✓	✓	✓	✓	✓	✓
Insulation: Building blanket with foil	✓	✓	✓	✓	✓	✓	✓
Insulation: Building blanket	✓	✓	✓	✓	✓	✓	✓
Insulation: Ceiling batts	✓	✓	✓	✓	✓	✓	✓
Insulation: Wall batts	✓	✓	✓	✓	✓	✓	✓
Insulation: Foil tape	✓	✓	✓	✓	✓	✓	✓
Lap Seal 	✓	✓	✓	✓	✓	✓	✓
Roof infill strips (closed cell type) 	✓	✓	✓	✓	✓	✓	✓
Safety mesh 	✓	✓	✓	✓	✓	✓	✓

Please refer to your local sales area offer for availability and full product details.

Accessories

Product Description (Refer to local sales office for details)	Qld	NSW	Vic.	Tas.	S.A.	W.A.	N.T.
Silicone sealant)	✓	✓	✓	✓	✓	✓	✓
Soft zinc flashing			✓	✓	✓		✓
Strapping (coils)	✓	✓	✓	✓	✓		✓
Translucent sheeting	✓	✓	✓	✓	✓	✓	✓
<p>CUSTOM ORB (Polycarbonate & fibreglass)</p>  <p>SPANDEK (Fibreglass)</p>  <p>KLIP-LOK 406 (Fibreglass)</p>  <p>TRIMDEK (Polycarbonate & fibreglass)</p>  <p>KLIP-LOK 700 (Fibreglass)</p>  <p>GRECA (Polycarbonate)</p>  <p>FLATDEK (Fibreglass)</p> 							
Turn-up/Turn down tools & notching tools :CUSTOM ORB, INTEGRITY 820, KLIP-LOK 406, KLIP-LOK 700HS, SPANDEK, LONGLINE 305, TRIMDEK. Enquire for local availability.	✓	✓	✓	✓	✓	✓	✓
<p>INTEGRITY 820 or SPANRIB Turn-up & turn-down</p>  <p>TRIMDEK Turn-up & turn-down</p>  <p>SPANDEK Turn up</p>  <p>LONGLINE 305 Turn-up & turn-down</p>  <p>KLIP-LOK 406</p>  <p>KLIP-LOK 700 HI-STRENGTH</p> 							
<p>Ventilated ridges</p> 	✓	✓	✓	✓	✓	✓	✓
<p>Ventilators: Industrial and Domestic</p> 	✓	✓	✓	✓	✓	✓	✓
<p>Weatherlok washers</p> 	✓	✓	✓	✓	✓	✓	✓

Please refer to your local sales area offer for availability and full product details.

Rainwater heads

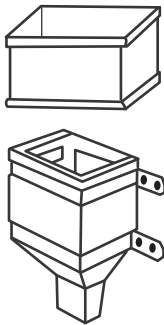


Product Availability

Generally, trade work can be manufactured to client's detailed drawings.

NSW

Refer to the Service Offer for details.

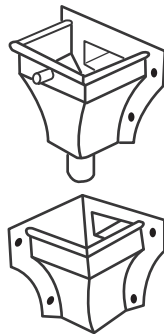


Vic

Materials
ZL & CB

Sizes

Custom made to order

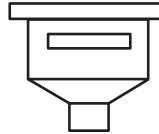


Qld

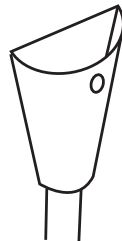
Materials
GB, ZL & CB

Sizes

Custom made to order



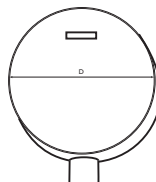
Round rainwater heads custom made to order



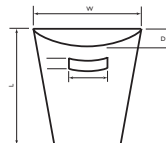
Contact SA branch for details on the full rainwater head range.



Ornamental Rainhead



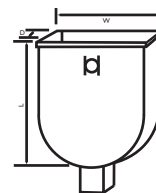
Full Moon Rainhead



Tapered Bushranger Rainhead



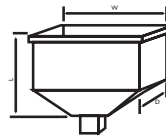
Bushranger Rainhead



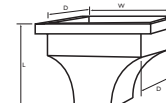
Tulip Rainhead

SA & NT

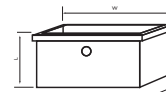
Materials
ZL, GB & CB



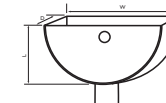
Tapered Classic Rainhead



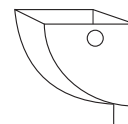
Antique Rainhead



Classic Rainhead



Half Moon Rainhead



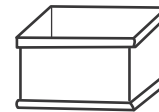
Quarter Moon Rainhead

WA

Materials
ZL, GB & CB

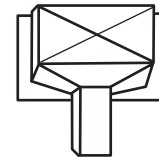
Sizes

Flat bottom
300 x 750 x 150
375 x 225 x 225



600 x 300 x 300

Tapered bottom
250 x 200
300 x 200
400 x 250



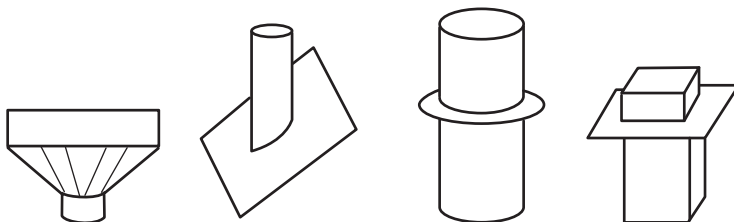
450 x 300
600 x 450

Abbreviations

CB = COLORBOND® colours on ZINCALUME® steel
 CU = Copper unpainted
 GB = GALVABOND® steel unpainted
 SS = Stainless steel unpainted
 ZL = ZINCALUME® steel unpainted
 All measurements are millimetres

CB Ultra & metallic, Copper and Stainless are subject to enquiry.

Transitions, roof collars & overflows



Product Availability

Accessories

Fasteners: Screw to steel–AS3566 Class 4 Roof & Wall cladding - non-cyclonic

Roofing - non-cyclonic						
LYSAGHT PROFILE	CREST			PAN		
	Single & Total Lapped ≥0.55 up to 1.0mm BMT	Single ≥1.0mm up to 3.0mm BMT	Lapped ≥1.0mm up to 1.9mm BMT	Single & Total Lapped ≥ 0.55 up to 1.0mm BMT	Single ≥1.0mm up to 3.0mm BMT	Lapped ≥1.0mm up to 1.9mm BMT
CUSTOM ORB	M6-11X50 ROOFZIPS	#12-14X35 HH HG/TG M5.5-14X39 AUTOTEKS	#12-14X35 HH HG/TG M5.5-14X39 AUTOTEKS	#10-16X16 HH M5-16X25 DH M6-11x25 ROOFZIPS	#10-16X16 HH M5-16X25 DH	#10-16X16 HH
CUSTOM BLUE ORB	M6-11X50 ROOFZIPS	#12-14X35 HH HG/TG M5.5-14X39 AUTOTEKS	#12-14X35 HH HG/TG M5.5-14X39 AUTOTEKS	#10-16X16 HH M5-16X25 DH M6-11x25 ROOFZIPS	#10-16X16 HH M5-16X25 DH	#10-16X16 HH
TRIMDEK	M6-11X50 ROOFZIPS	#12-14X45 HH HG/TG #12-14X55 HH HG/TG M5.5-14X50 AUTOTEKS	#12-14X45 HH HG/TG #12-14X55 HH HG/TG M5.5-14X50 AUTOTEKS	#10-16X16 HH M5-16X25 DH M6-11x25 ROOFZIPS	#10-16X16 HH M5-16X25 DH	#10-16X16 HH
SPANDEK	M6-11X50 ROOFZIPS	#12-14X45 HH HG/TG #12-14X55 HH HG/TG M5.5-14X50 AUTOTEKS	#12-14X45 HH HG/TG #12-14X55 HH HG/TG M5.5-14X50 AUTOTEKS	#10-16X16 HH M5-16X25 DH M6-11x25 ROOFZIPS	#10-16X16 HH M5-16X25 DH	#10-16X16 HH
INTEGRITY 820	M6-11X65 ROOFZIPS	#12-14X68 HH HG/TG	#12-14X68 HH HG/TG	N/A	N/A	N/A
FLATDEK	N/A	N/A	N/A	#10-16X16 HH #12-14x20 HH M5-16X25 DH M6-11x25 ROOFZIPS	#10-16X16 HH #12-14x20 HH M5-16X25 DH	#10-16X16 HH #12-14x20 HH
KL406 CLIP FIXED	N/A	N/A	N/A	#10-16X16 WH #10-16X22 WH	#10-16X16 WH #10-16X22 WH	#10-16X16 WH #10-16X22 WH
KL700HS CLIP FIXED	N/A	N/A	N/A	M6-11x25 ROOFZIPS #15-15x25 HH	#12-14x20 HH #12-14x30 HH	#12-14x20 HH #12-14x30 HH
KL700 CLASSIC CLIP FIXED	N/A	N/A	N/A	M6-11x25 ROOFZIPS #15-15x25 HH	#12-14x20 HH #12-14x30 HH	#12-14x20 HH #12-14x30 HH
LONGLINE 305	N/A	N/A	N/A	#10-16X16 WH #10-16X22 WH	#10-16X16 WH #10-16X22 WH	#10-16X16 WH #10-16X22 WH

Walling - non-cyclonic						
LYSAGHT PROFILE	CREST			PAN		
	Single & Total Lapped ≥0.55 up to 1.0mm BMT	Single ≥1.0mm up to 3.0mm BMT	Lapped ≥1.0mm up to 1.9mm BMT	Single & Total Lapped ≥0.55 up to 1.0mm BMT	Single ≥1.0mm up to 3.0mm BMT	Lapped ≥1.0mm up to 1.9mm BMT
CUSTOM ORB/ WALLCLAD	M6-11X50 ROOFZIPS	#12-14X35 HH HG/TG M5.5-14X39 AUTOTEKS	#12-14X35 HH HG/TG M5.5-14X39 AUTOTEKS	#10-16x16 HH M5-16X25 DH M6-11x25 ROOFZIPS	#10-16x16 HH M5-16X25 DH	#10-16x16 HH
TRIMDEK/ TRIMWALL	M6-11X50 ROOFZIPS	#12-14X45 HH HG/TG #12-14X55 HH HG/TG M5.5-14X50 AUTOTEKS	#12-14X45 HH HG/TG #12-14X55 HH HG/TG M5.5-14x50 AUTOTEKS	#10-16x16 HH M5-16X25 DH M6-11x25 ROOFZIPS	#10-16x16 HH M5-16X25 DH	#10-16x16 HH
SPANDEK	M6-11X50 ROOFZIPS	#12-14X45 HH HG/TG #12-14X55 HH HG/TG M5.5-14X50 AUTOTEKS	#12-14X45 HH HG/TG #12-14X55 HH HG/TG M5.5-14x50 AUTOTEKS	#10-16x16 HH M5-16X25 DH M6-11x25 ROOFZIPS	#10-16x16 HH M5-16X25 DH	#10-16x16 HH
MINI ORB	N/A	N/A	N/A	#10-16X20 RIPPLETEKS M4.8-16X25 RIPPLEZIPS	#10-16X20 RIPPLETEKS M4.8-16X25 RIPPLEZIPS	#10-16X20 RIPPLETEKS M4.8-16X25 RIPPLEZIPS
PANELRIB	N/A	N/A	N/A	#10-16x16 HH M5-16X25 DH M6-11x25 ROOFZIPS	#10-16x16 HH M5-16X25 DH	#10-16x16 HH
MULTICLAD	N/A	N/A	N/A	#10-16x16 HH M5-16X25 DH M6-11x25 ROOFZIPS	#10-16x16 HH M5-16X25 DH	#10-16x16 HH
EASYCLAD 2PF	N/A	N/A	N/A	#10-16x16 HH M5-16X25 DH M6-11x25 ROOFZIPS	#10-16x16 HH M5-16X25 DH	#10-16x16 HH

NOTES: HH - HEX HEAD WH - WAFER HEAD DH - DESIGNER HEAD
HG - HIGH GRIP TG - TOP GRIP

Selection on these pages is an indicative but not comprehensive selection of fasteners we recommend for our products. All required EPDM seal. Refer to local office for availability. Fasteners used should be BlueScope Lysaght approved or equivalent.

Fasteners: Screw to steel-AS3566 Class 4 Roof & Wall cladding - cyclonic

Roofing - cyclonic						
LYSAGHT PROFILE	CREST			PAN		
	Single & Total Lapped ≥0.55 up to 1.0mm BMT	Single ≥1.0mm up to 3.0mm BMT	Lapped ≥1.0mm up to 1.9mm BMT	Single & Total Lapped ≥ 0.55 up to 1.0mm BMT	Single ≥1.0mm up to 3.0mm BMT	Lapped ≥1.0mm up to 1.9mm BMT
CUSTOM ORB	#15-15x47 HH M6.5-12x55 CyclonicZIPS	#14-10X42 HH	#14-10X42 HH	#15-15x25 HH	#14-10X25 HH	#14-10X25 HH
CUSTOM BLUE ORB	#15-15x47 HH M6.5-12x55 CyclonicZIPS	#14-10X42 HH	#14-10X42 HH	#15-15x25 HH	#14-10X25 HH	#14-10X25 HH
TRIMDEK	#15-15x55 HH M6.5-12x55 CyclonicZIPS	#14-10X50 HH	#14-10X50 HH	#15-15x25 HH	#14-10X25 HH	#14-10X25 HH
SPANDEK	#15-15x55 HH M6.5-12x55 CyclonicZIPS	#14-10X50 HH	#14-10X50 HH	#15-15x25 HH	#14-10X25 HH	#14-10X25 HH
INTEGRITY 820	This product is not suitable for cyclonic conditions.					
FLATDEK	N/A	N/A	N/A	M5.5-14X25 AUTOTEKS	M5.5-14X25 AUTOTEKS	M5.5-14X25 AUTOTEKS
KL406 CLIP FIXED	#15-15x55 HH M6.5-12x55 CyclonicZIPS	#14-10x65 HH	#14-10x65 HH	N/A	N/A	N/A
KL700HS CLIP FIXED	N/A	N/A	N/A	#12-14X20 HH	#12-14X20 HH	#12-14X20 HH
KL700 CLASSIC CLIP FIXED	These products are not suitable for cyclonic conditions.					
LONGLINE 305						
Walling - cyclonic						
LYSAGHT PROFILE	CREST			PAN		
	Single & Total Lapped ≥0.55 up to 1.0mm BMT	Single ≥1.0mm up to 3.0mm BMT	Lapped ≥1.0mm up to 1.9mm BMT	Single & Total Lapped ≥ 0.55 up to 1.0mm BMT	Single ≥1.0mm up to 3.0mm BMT	Lapped ≥1.0mm up to 1.9mm BMT
CUSTOM ORB/ WALLCLAD	#15-15x47 HH M6.5-12x55 CyclonicZIPS	#14-10X42 HH	#14-10X42 HH	#15-15x25 HH	#14-10X25 HH	#14-10X25 HH
TRIMDEK/ TRIMWALL	#15-15x55 HH M6.5-12x55 CyclonicZIPS	#14-10X50 HH	#14-10X50 HH	#15-15x25 HH	#14-10X25 HH	#14-10X25 HH
SPANDEK	#15-15x55 HH M6.5-12x55 CyclonicZIPS	#14-10X50 HH	#14-10X50 HH	#15-15x25 HH	#14-10X25 HH	#14-10X25 HH
MINI ORB	These products are not suitable for cyclonic conditions.					
PANELRIB						
MULTICLAD						
EASYCLAD 2PF						

NOTES: HH - HEX HEAD WH - WAFER HEAD HG - HIGH GRIP DH - DESIGNER HEAD

Selection on these pages is an indicative but not comprehensive selection of fasteners we recommend for our products. All required EPDM seal. Refer to local office for availability. Fasteners used should be BlueScope Lysaght approved or equivalent.

Fasteners: Screw to timber–AS3566 Class 4 Roof & Wall Cladding - non-cyclonic

Roofing - non-cyclonic				
LYSAGHT PROFILE	Hardwood		Softwood	
	Pan	Crest	Pan	Crest
CUSTOM ORB	#10-12X25 T17 HH #12-11X25 T17 HH M5-16X25 DH	#12-11X50 T17 HG/TG HH	#10-12X30 T17 HH #12-11X25 T17 HH M5-16X25 DH M6-11X25 ROOFZIPS	#12-11X50 T17 HG/TG HH M6-11X50 ROOFZIPS
CUSTOM BLUE ORB	#10-12X25 T17 HH #12-11X25 T17 HH M5-16X25 DH	#12-11X50 T17 HG/TG HH	#10-12X30 T17 HH #12-11X25 T17 HH M5-16X25 DH M6-11X25 ROOFZIPS	#12-11X50 T17 HG/TG HH M6-11X50 ROOFZIPS
TRIMDEK	#10-12X25 T17 HH #12-11X25 T17 HH M5-16X25 DH	#12-11X65 T17 HG/TG HH	#10-12X30 T17 HH #12-11X25 T17 HH M5-16X25 DH M6-11X25 ROOFZIPS	#12-11X65 T17 HG/TG HH M6-11X65 ROOFZIPS
SPANDEK	#10-12X25 T17 HH #12-11X25 T17 HH M5-16X25 DH	#12-11X50 T17 HG/TG HH	#10-12X30 T17 HH #12-11X25 T17 HH M5-16X25 DH M6-11X25 ROOFZIPS	#12-11X65 T17 HG/TG HH M6-11X65 ROOFZIPS
INTEGRITY 820	N/A	N/A	N/A	N/A
FLATDEK	#10-12X25 T17 HH #12-11X25 T17 HH M5-16X25 DH	N/A	#10-12X30 T17 HH #12-11X25 T17 HH M5-16X25 DH M6-11X25 ROOFZIPS	N/A
KL406 CLIP FIXED	#10-12X25 T17 WH	N/A	#10-12X35 T17 WH	N/A
KL700HS CLIP FIXED	#12-11X25 T17 HH M5.5-11x40 BATTENZIPS	N/A	#12-11X25 T17 HH M5.5-11x40 BATTENZIPS M6-11X25 ROOFZIPS	N/A
KL700 CLASSIC CLIP FIXED	#12-11X25 T17 HH M5-16X25 DH M5.5-11x40 BATTENZIPS	N/A	#12-11X25 T17 HH M5-16X25 DH M5.5-11x40 BATTENZIPS M6-11X25 ROOFZIPS	N/A
LONGLINE 305	#10-12X25 T17 WH	N/A	#10-12X35 T17 WH	N/A

Walling - non-cyclonic				
LYSAGHT PROFILE	Hardwood		Softwood	
	Pan	Crest	Pan	Crest
CUSTOM ORB/ WALLCLAD	#10-12X25 T17 HH #12-11X25 T17 HH M5-16X25 DH	#12-11X50 T17 HG/TG HH	#10-12X30 T17 HH #12-11X25 T17 HH M5-16X25 DH M6-11X25 ROOFZIPS	#12-11X50 T17 HG/TG HH M6-11X50 ROOFZIPS
TRIMDEK/ TRIMWALL	#10-12X25 T17 HH #12-11X25 T17 HH M5-16X25 DH	#12-11X65 T17 HG/TG HH	#10-12X30 T17 HH #12-11X25 T17 HH M5-16X25 DH M6-11X25 ROOFZIPS	#12-11X65 T17 HG/TG HH M6-11X65 ROOFZIPS
SPANDEK	#10-12X25 T17 HH #12-11X25 T17 HH M5-16X25 DH	#12-11X50 T17 HG/TG HH	#10-12X30 T17 HH #12-11X25 T17 HH M5-16X25 DH M6-11X25 ROOFZIPS	#12-11X65 T17 HG/TG HH M6-11X65 ROOFZIPS
MINI ORB	#10-16X20 RIPPLETEKS M4.8-16X25 RIPPLEZIPS	N/A	#10-16X20 RIPPLETEKS M4.8-16X25 RIPPLEZIPS	N/A
PANELRIB	#10-12X25 T17 HH #12-11X25 T17 HH M5-16X25 DH	N/A	#10-12X30 T17 HH #12-11X25 T17 HH M5-16X25 DH M6-11X25 ROOFZIPS	N/A
MULTICLAD	#10-12X25 T17 HH #12-11X25 T17 HH M5-16X25 DH	N/A	#10-12X30 T17 HH #12-11X25 T17 HH M5-16X25 DH M6-11X25 ROOFZIPS	N/A
EASYCLAD 2PF	#10-12X25 T17 HH #12-11X25 T17 HH M5-16X25 DH	N/A	#10-12X30 T17 HH #12-11X25 T17 HH M5-16X25 DH M6-11X25 ROOFZIPS	N/A

NOTES: HH - HEX HEAD WH - WAFER HEAD HG - HIGH GRIP DH - DESIGNER HEAD TG - TOP GRIP T17 - TYPE 17 TIMBER SCREW

Selection on these pages is an indicative but not comprehensive selection of fasteners we recommend for our products. All required EPDM seal. Refer to local office for availability. Fasteners used should be BlueScope Lysaght approved or equivalent.

Fasteners: Screw to timber—AS3566 Class 4 Roof & Wall Cladding - Cyclonic

Roofing - Cyclonic				
LYSAGHT PROFILE	Hardwood		Softwood	
	Pan	Crest	Pan	Crest
CUSTOM ORB	#12-11x25 T17 HH	#12-11X50 T17 HG/TG HH	#14-10x39 T17 HH	M6-11X50 ROOFZIPS #14-10X50 T17 HH #14-10X65 T17 HH
CUSTOM BLUE ORB	#12-11x25 T17 HH	#12-11X50 T17 HG/TG HH	#14-10x39 T17 HH	M6-11X50 ROOFZIPS #14-10X50 T17 HH #14-10X65 T17 HH
TRIMDEK	#12-11x25 T17 HH	#12-11X65 T17 HG/TG HH	#14-10x39 T17 HH	M6-11X65 ROOFZIPS #14-10X65 T17 HH #14-10X75 T17 HH
SPANDEK	#12-11x25 T17 HH	#12-11X65 T17 HG/TG HH	#14-10x39 T17 HH	M6-11X65 ROOFZIPS #14-10X65 T17 HH #14-10X75 T17 HH
INTEGRITY 820	This product is not suitable for cyclonic regions.			
FLATDEK	#12-11X25 T17 HH	N/A	#14-10x39 T17 HH	N/A
KL406 CLIP FIXED	N/A	#12-11X75 T17 HH	N/A	#14-10X75 T17 HH #14-10X90 T17 HH
KL700HS CLIP FIXED	#12-11X45 T17 HH M5.5-11x40 BATTENZIPS	N/A	#12-11X45 T17 HH M5.5-11x40 BATTENZIPS	N/A
KL700 CLASSIC CLIP FIXED	#12-11X45 T17 HH M5.5-11x40 BATTENZIPS	N/A	#12-11X45 T17 HH M5.5-11x40 BATTENZIPS	N/A
LONGLINE 305	This product is not suitable for cyclonic regions.			
Walling - Cyclonic				
LYSAGHT PROFILE	Hardwood		Softwood	
	Pan	Crest	Pan	Crest
CUSTOM ORB/WALLCLAD	#12-11X25 T17 HH	#12-11X50 T17 HG/TG HH	#14-10x39 T17 HH	M6-11X50 ROOFZIPS #14-10X50 T17 HH #14-10X65 T17 HH
TRIMDEK/TRIMWALL	#12-11X25 T17 HH	#12-11X65 T17 HG/TG HH	#14-10x39 T17 HH	M6-11X65 ROOFZIPS #14-10X65 T17 HH #14-10X75 T17 HH
SPANDEK	#12-11X25 T17 HH	#12-11X65 T17 HG/TG HH	#14-10x39 T17 HH	M6-11X65 ROOFZIPS #14-10X65 T17 HH #14-10X75 T17 HH
MINI ORB	These products are not suitable for cyclonic regions.			
PANELRIB				
MULTICLAD				
EASYCLAD 2PF				

NOTES: HH - HEX HEAD WH - WAFER HEAD TG - TOP GRIP HG - HIGH GRIP DH - DESIGNER HEAD T17 - TYPE 17 TIMBER SCREW

Selection on these pages is an indicative but not comprehensive selection of fasteners we recommend for our products. All required EPDM seal. Refer to local office for availability. Fasteners used should be BlueScope Lysaght approved or equivalent.

Fasteners: Screw to steel batten–AS3566 Class 4 Steel batten - non-cyclonic

Steel batten to steel support connection fastener selection for single and lapped battens									
Battens BMT (mm)	Steel support thickness (mm)								
	1.0	1.2	1.5	1.9	2.4	3.0	3.5	4.0	5.0
0.42	M5.5-11x40 BATTENZIPS M6-11X25 ROOFZIPS	#10-16X16 HH M5-16X25 DH M5.5-11x40 BATTENZIPS	#10-16X16 HH M5-16X25 DH M5.5-11x40 BATTENZIPS	#10-16X16 HH M5-16X25 DH	#12-14x20 HH	#12-14x20 HH	#12-14x20 HH	#12-14x20 HH	#12-24X32 HH
0.55	#10-16X16 HH M5-16X25 DH M5.5-11x40 BATTENZIPS	#10-16X16 HH M5-16X25 DH M5.5-11x40 BATTENZIPS	#10-16X16 HH M5-16X25 DH M5.5-11x40 BATTENZIPS	#10-16X16 HH M5-16X25 DH	#10-16X16 HH M5-16X25 DH	#12-14x20 HH	#12-14x20 HH	#12-24X32 HH	#12-24X32 HH
0.7	#10-16X16 HH M5-16X25 DH M5.5-11x40 BATTENZIPS	#10-16X16 HH M5-16X25 DH M5.5-11x40 BATTENZIPS	#10-16X16 HH M5-16X25 DH M5.5-11x40 BATTENZIPS	#12-14x20 HH	#12-14x20 HH	#12-14x20 HH	#12-14x20 HH	#12-24X32 HH	#12-24X32 HH
0.75	#10-16X16 HH M5-16X25 DH M5.5-11x40 BATTENZIPS	#10-16X16 HH M5-16X25 DH M5.5-11x40 BATTENZIPS	#10-16X16 HH M5-16X25 DH M5.5-11x40 BATTENZIPS	#12-14x20 HH	#12-14x20 HH	#12-14x20 HH	#12-14x20 HH	#12-24X32 HH	#12-24X32 HH
0.9	#12-14x20 HH M5.5-11x40 BATTENZIPS	#12-14x20 HH M5.5-11x40 BATTENZIPS	#12-14x20 HH M5.5-11x40 BATTENZIPS	#12-14x20 HH	#12-14x20 HH	#12-14x20 HH	#12-24X32 HH	#12-24X32 HH	#12-24X32 HH
1.0	#12-14x20 HH M5.5-11x40 BATTENZIPS	#12-14x20 HH M5.5-11x40 BATTENZIPS	#12-14x20 HH M5.5-11x40 BATTENZIPS	#12-14x20 HH	#12-14x20 HH	#12-14x20 HH	#12-24X32 HH	#12-24X32 HH	#12-24X32 HH
1.2	#12-14x20 HH M5.5-11x40 BATTENZIPS	#12-14x20 HH M5.5-11x40 BATTENZIPS	#12-14x20 HH M5.5-11x40 BATTENZIPS	#12-14x20 HH	#12-14x20 HH	#12-24X32 HH	#12-24X32 HH	#12-24X32 HH	#12-24X32 HH

NOTES: HH - HEX HEAD
DH - DESIGNER HEAD

Selection on these pages is an indicative but not comprehensive selection. Refer to local office for availability. Fasteners we recommend for our products are specified above. Fasteners used should be BlueScope Lysaght approved or equivalent.

Fasteners: Screw to steel batten–AS3566 Class 4 Steel batten - cyclonic

Steel batten to steel support connection fastener selection for single and lapped battens - cyclonic

Battens BMT (mm)	Steel support thickness (mm)								
	1.0	1.2	1.5	1.9	2.4	3.0	3.5	4.0	5.0
0.42	#15-15X25 HH	#14-10x25 HH	#14-10x25 HH	#14-10x25 HH	#14-10x25 HH	#14-10x25 HH	#14-10x25 HH	#14-10x25 HH	#12-24X32 HH
0.55	#15-15X25 HH	#14-10x25 HH	#14-10x25 HH	#14-10x25 HH	#14-10x25 HH	#14-10x25 HH	#14-10x25 HH	#12-24X32 HH	#12-24X32 HH
0.70	#15-15X25 HH	#14-10x25 HH	#14-10x25 HH	#14-10x25 HH	#14-10x25 HH	#14-10x25 HH	#14-10x25 HH	#12-24X32 HH	#12-24X32 HH
0.75	#15-15X25 HH	#14-10x25 HH	#14-10x25 HH	#14-10x25 HH	#14-10x25 HH	#14-10x25 HH	#14-10x25 HH	#12-24X32 HH	#12-24X32 HH
0.90	#14-10x25 HH	#14-10x25 HH	#14-10x25 HH	#14-10x25 HH	#14-10x25 HH	#14-10x25 HH	#12-24X32 HH	#12-24X32 HH	#12-24X32 HH
1.0	#14-10x25 HH	#14-10x25 HH	#14-10x25 HH	#14-10x25 HH	#14-10x25 HH	#12-24X32 HH	#12-24X32 HH	#12-24X32 HH	#12-24X32 HH
1.2	#14-10x25 HH	#14-10x25 HH	#14-10x25 HH	#14-10x25 HH	#14-10x25 HH	#12-24X32 HH	#12-24X32 HH	#12-24X32 HH	#12-24X32 HH

NOTES: HH - HEX HEAD

Selection on these pages is an indicative but not comprehensive selection of fasteners we recommend for our products. Refer to local office for availability. Fasteners used should be BlueScope Lysaght approved or equivalent.

Fasteners: Screw to timber batten–AS3566 Class 4 Steel batten - cyclonic & non-cyclonic

Steel batten to timber truss/rafter connection fastener selection				
Batten BMT (mm)	Non-cyclonic		Cyclonic	
	Hardwood	Softwood	Hardwood	Softwood
Single and lapped*				
0.55	M5.5-11x40 BATTENZIPS	M5.5-11x40 BATTENZIPS M6-11X25 ROOFZIPS #14-10X25 T17 HH #14-10X39 T17 HH	M5.5-11x40 BATTENZIPS	M5.5-11x40 BATTENZIPS #14-10X39 T17 HH
0.70	M5.5-11x40 BATTENZIPS	M5.5-11x40 BATTENZIPS M6-11X25 ROOFZIPS #14-10X25 T17 HH #14-10X39 T17 HH	M5.5-11x40 BATTENZIPS	M5.5-11x40 BATTENZIPS #14-10X39 T17 HH
0.75	M5.5-11x40 BATTENZIPS	M5.5-11x40 BATTENZIPS M6-11X25 ROOFZIPS #14-10X25 T17 HH #14-10X39 T17 HH	M5.5-11x40 BATTENZIPS	M5.5-11x40 BATTENZIPS #14-10X39 T17 HH
0.90	M5.5-11x40 BATTENZIPS	M5.5-11x40 BATTENZIPS M6-11X25 ROOFZIPS	M5.5-11x40 BATTENZIPS	M5.5-11x40 BATTENZIPS
1.0	M5.5-11x40 BATTENZIPS	M5.5-11x40 BATTENZIPS M6-11X25 ROOFZIPS	M5.5-11x40 BATTENZIPS	M5.5-11x40 BATTENZIPS
1.2	M5.5-11x40 BATTENZIPS	M5.5-11x40 BATTENZIPS M6-11X25 ROOFZIPS	M5.5-11x40 BATTENZIPS	M5.5-11x40 BATTENZIPS

* This table is suitable for single and lapped battens.

Selection on these pages is an indicative but not comprehensive selection. Refer to local office for availability. Fasteners we recommend for our products are specified above. Fasteners used should be BlueScope Lysaght approved or equivalent.



Fencing Fasteners:

Screw to steel—AS3566 Class 4 (except as noted)

Refer to regional product offers for details of all available fasteners. Selection on these pages is an indicative but not comprehensive selection. Class 3 fasteners not available in Queensland. All other states, refer to local office for availability.

FASTENER TABLE - FENCING: TYPE 1, TYPE 2 AND TYPE 3 FENCES

	TYPE 1, 2, 3	TYPE 1, 2, 3	TYPE 1, 2, 3	TYPE 1, 2, 3	TYPE 1, 2, 3	TYPE 3 ONLY	TYPE 3 ONLY
FENCE TYPE	RAIL TO POST	POST TO POST	LATTICE TO RAIL	FENCE CAP TO POST	STIFFENER TO POST	PANEL TO RAIL	POST TO SHS
NEETASCREEN	#10-16X16 HH	#10-16X16 HH	#10-16X16 HH	#10-16X16 HH	#12-24X32 HH	#12-14X45 HH	#10-16X16 HH
SMARTASCREEN	#10-16X16 HH	#10-16X16 HH	#10-16X16 HH	#10-16X16 HH	#12-24X32 HH	#12-14X45 HH	#10-16X16 HH
CUSTOMSCREEN	#10-16X16 HH	#10-16X16 HH	#10-16X16 HH	#10-16X16 HH	#12-24X32 HH	#12-14X45 HH	#10-16X16 HH
MINISCREEN	#10-16X16 HH	#10-16X16 HH	#10-16X16 HH	#10-16X16 HH	#12-24X32 HH	#12-14X45 HH	#10-16X16 HH
NEETASCREEN PLUS	#10-16X16 HH	#10-16X16 HH	#10-16X16 HH	#10-16X16 HH	#12-24X32 HH	#12-14X45 HH	#10-16X16 HH
SMARTASCREEN PLUS	#10-16X16 HH	#10-16X16 HH	#10-16X16 HH	#10-16X16 HH	#12-24X32 HH	#12-14X45 HH	#10-16X16 HH
CUSTOMSCREEN PLUS	#10-16X16 HH	#10-16X16 HH	#10-16X16 HH	#10-16X16 HH	#12-24X32 HH	#12-14X45 HH	#10-16X16 HH
MINISCREEN PLUS	#10-16X16 HH	#10-16X16 HH	#10-16X16 HH	#10-16X16 HH	#12-24X32 HH	#12-14X45 HH	#10-16X16 HH

NEETALOK CONNECTION TYPE

FENCE TYPE	RAIL TO POST	FENCE CAP TO POST	PANEL TO RAIL	RAIL TO BRACKET	BRACKET TO POST
FASTENER	#12-14X20 HH	#12-14X20 HH	#12-14X45 HH	#12-14X20 HH	#12-14X20 HH

Accessories

Structural Decking Fasteners:

Screw to steel—AS3566 Class 4 (except as noted)

Refer to regional product offers for details of all available fasteners. Selection on these pages is an indicative but not comprehensive selection. Class 3 fasteners not available in Queensland. All other states, refer to local office for availability.

Steel support thickness

Decking Type	Up to 12mm	Over 12mm (pre-drill)	Edge form	Side Lap
BONDEK	#12-24x32 HH	#12-24x32 HH	#10-16x16 HH	#10x24x16 HH
POWERDEK	#12-24x32 HH	#12-24x32 HH	#10-16x16 HH	#10x24x16 HH



Miscellaneous Fasteners: Screw to steel—AS3566 Class 4 (except as noted)

Refer to regional product offers for details of all available fasteners. Selection on these pages is an indicative but not comprehensive selection. Class 3 fasteners not available in Queensland. All other states, refer to local office for availability.

Coating Class 4

Gauge TPI Length (mm)

Self drilling screw for thin gauge steel (with under-washer thread) with seal

15 15 55

Hex. head self drilling screw with seal (part thread)

14 10 42

14 10 50

14 10 65

Stitching screws Hex. head with seal

10 12 20

Hex. head with 19 mm aluminium bonded washer

14 10 42

14 10 50

14 10 65

Hex. head self drilling screw with seal

10 24 16

10 24 24

12 24 30

12 14 30

Hex. head self drilling screw

12 24 50

12 24 65

14 20 65

14 20 45

14 20 30

M5 16 25

RoofZips® Hex. head self drilling screw for steel (with underwasher thread) with seal

M6 11 50mm

M6 11 65mm

Hex. head self drilling screw for steel (with underwasher thread) with seal

12 14 35

12 14 45

12 14 68

Coating Class 4

Gauge TPI Length (mm)

BattenZips® Hex. head self drilling screw for steel (with underwasher thread)

M5.5 11 40

AutoTekS® Hex. head self drilling screw for steel (with underwasher thread) with seal

M5.5 14 50

AutoTekS® Hex. head self drilling screw for steel (with underwasher thread) with seal

M5.5 14 39

M6.5 14 50

Hex. head self drilling screw for steel (with underwasher thread) with seal (full thread)

10 16 16

12 14 20

14 10 42

(part thread)

Hex. head, no seal

10 16 16

10 16 25

12 14 55

12 14 65

12 14 75

14 20 22

14 10 25

14 10 42

14 10 50

Hex. head with 19mm aluminium bonded washer

14 10 42

14 10 50

14 10 65

Self drilling screw with 25mm aluminium bonded washer

15 15 47

Wingtek

8 18 35

6 20 50

10 16 40

10 16 55

10 16 75

Coating Class 4

Gauge TPI Length (mm) Button Head

8 18 12

8 18 20

8 18 25

8 18 32

Zinc plated

Gauge TPI Length

Wafer head

10 16 16

10 16 22

Hex. head, no seal

8 18 12

10 16 16

Coating Class 3 coated

Gauge TPI Length

Wafer head

10 16 16

10 16 22

Ripple TekS®

10 16 20

10 16 30

RippleZips®

M4.8 16 25

Autoteks®, BattenZips®, Ripple TekS®, RippleZips® and RoofZips® are registered trademarks of ITW Buildex.

Cyclonic Assemblies

Coating class 4 coated

Gauge TPI Length

For CUSTOM ORB

8 18 32

For SPANDEK & TRIMDEK

14 10 50

For KLIP-LOK 406 HIGH

WIND

14 10 65

Metal Batten TekS®

for CUSTOM ORB

15 15 47

Metal Batten TekS®

for SPANDEK & TRIMDEK

15 15 55

Metal Batten TekS®

for KLIP-LOK 406 HIGH WIND

15 15 55



Miscellaneous Fasteners:

Screw to timber—AS3566 Class 4 (except as noted)

Refer to regional product offers for details of all available fasteners. Selection on these pages is an indicative but not comprehensive selection. Class 3 fasteners not available in Queensland. All other states, refer to local office for availability.

Coating class 3 coated			Coating class 4 coated			Hex. head with 25 mm aluminium bonded washer			Cyclonic fasteners Coating class 4 coated		
Gauge	TPI	Length	Gauge	TPI	Length	Gauge	TPI	Length	Gauge	TPI	Length
Hex. head with thread under washer with seal			Roofzips® Hex. head Self drilling screw for steel or timber (with underwasher thread) with seal			14	10	50	Hex. head for CUSTOM ORB		
12	11	50	12	11	50	14	10	65	HARDWOOD		
12	11	65				Zinc plated			14	10	50
Hex. head with seal (full thread)			Hex. head with thread under washer with seal			Gauge TPI Length			SOFTWOOD		
10	12	25	12	11	65	Wafer head			14	10	65
12	11	25	Hex. head with seal			Countersunk head (N/A in Queensland)			Hex. head for SPANDEK & TRIMDEK		
14	10	25	12	11	25	6			14	10	65
Hex. head with seal (part thread)			14	10	25	18			HARDWOOD		
12	11	45	14	10	25	25			14	10	75
14	10	50	14	10	50	Bugle head batten			Hex. head for KLIP-LOK 406 HIGH WIND		
14	10	65	14	10	65	14	10	75	HARDWOOD		
Hex. head no seal (full thread)			Hex. head, no seal (N/A in Queensland)			14	10	100	SOFTWOOD		
10	12	25	12	11	25	Hex. head with 16 mm aluminium bonded washer			14	10	90
12	10	25	14	10	25	14			Cyclonic fasteners Coating class 3 coated		
14	10	25	14	10	50	14			Gauge TPI Length		
Hex. head, no seal (part thread)			14	10	65	Hex. head with 19 mm aluminium bonded washer			KLIP-LOK-700HS clip fixed to timber Type 17 Hex. Head		
12	11	45	14	10	50	14			HARDWOOD		
12	11	50	14	10	65	14			12	11	25
14	10	50	Hex. head with 19 mm aluminium bonded washer			14			SOFTWOOD		
14	10	65	14	10	50	14			12	11	40
Ripple Tek® screws (30 mm) are used for fixing MINI ORB to timber — see previous page for sizes.			14	10	65	14			SOFTWOOD		
			14	10	65						

Fasteners: Blind rivets

Refer to your local region's Service Offer for details of available fasteners.

Body	Mandrel	Dia.	Grip	Type	Head
Aluminium	Steel	3.2	8	Plain	Button

Fastener drive tools

Across flats Length

Hexagon sockets	Length
5/16 inch	45
5/16 inch	65
3/8 inch	65



Across flats Length

Phillips drive bits	Length
#2	50



Length

Magnetic bit holder	Length
	75

